



# Energy Saver T2

14W EL/mDT D2D 1BC

The Philips EnergySaver T2 provides energy efficient lighting in a smaller, sleeker, size that fits more fixtures. The energy saving T2 is a direct replacement for most incandescents, provides soft white light and lasts 11 years\* reducing the hassle of frequent replacements.

## Product data

### • General Characteristics

Base	Medium [Single Contact Medium Screw]
Bulb	Spiral
Nominal Lifetime	10000 hr
Rated Lifetime (hours)	10000 hr
Rated Lifetime (years)	10 an

### • Light Technical Characteristics

Color Code	827 [CCT of 2700K]
Color Designation	Warm White
Color Temperature	2700 K
Color Temperature technical	2700 K
Initial lumen	900 Lm
Rated Luminous Flux	900 Lm
Luminous Efficacy Lamp	900 Lm/W
Chromaticity Coordinate X	463 -
Chromaticity Coordinate Y	420 -

### • Electrical Characteristics

Rated Wattage	14.0 W
Watts	14 W
Power Factor	0.55 -
Voltage	220-240 V
Lamp Current mA	200 mA
Line Frequency	50/60 Hz
Dimmable	No

Wattage Equivalent	70 W
Starting Time	0.3 s

### • Environmental Characteristics

Energy Efficiency Label (EEL)	A
Mercury (Hg) Content	1.5 (nom), 2.0 (max) mg
Energy consumption kWh/1000h	14 kWh

### • Measuring Conditions

Switching cycle	5000X
-----------------	-------

### • Product Dimensions

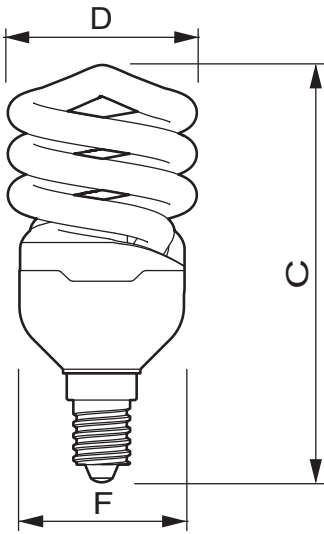
Overall Length C	104.3 (max) mm
Diameter D	51.0 (max) mm
Width F	42.5 (max) mm

### • Product Data

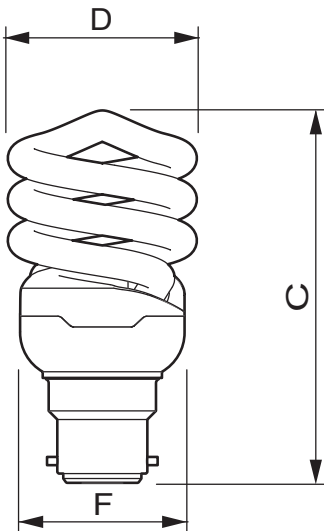
Product number	405852
Full product name	14W EL/mDT D2D 1BC
Short product name	BC-EL/mdT D2D 15W 4/1
Pieces per Sku	1
eop_pck_cfg	4
Skus/Case	4
Bar code on pack	46677405854
Bar code on case	50046677405859
Logistics code(s)	929689789101
eop_net_weight_pp	0.060 kg

**PHILIPS**

Dimensional drawing



E26



14W EL/mDT D2D 1BC

Product	C (Max)	D (Max)	F (Max)
QSPIR-F 14W WW E26 220-240V 50/60Hz	104.3	51.0	42.5

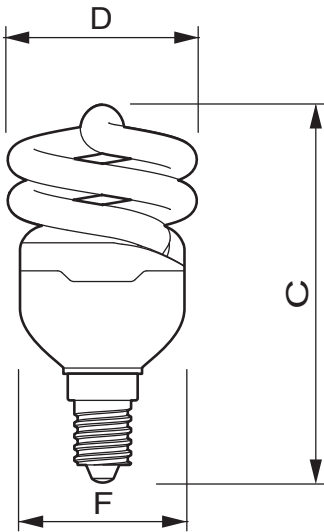
14W EL/mDT D2D 1BC

Product	C (Max)	D (Max)	F (Max)
QSPIR-F 14W WW E26 220-240V 50/60Hz	104.3	51.0	42.5

## Dimensional drawing



E26



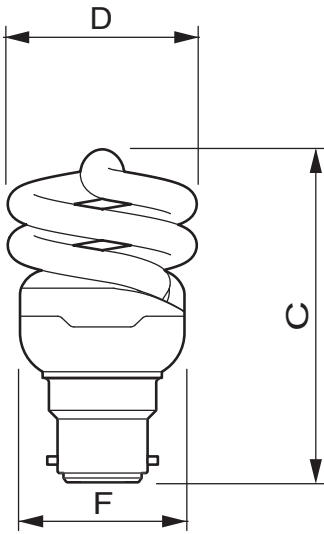
### 14W EL/mDT D2D 1BC

Product	C (Max)	D (Max)	F (Max)
QSPIR-F 14W WW E26 220-240V 50/60Hz	104.3	51.0	42.5



E26

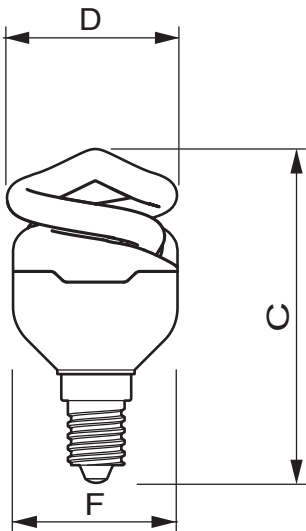
Dimensional drawing



E26

14W EL/mDT D2D 1BC

Product	C (Max)	D (Max)	F (Max)
QSPIR-F 14W WW E26 220-240V 50/60Hz	104.3	51.0	42.5



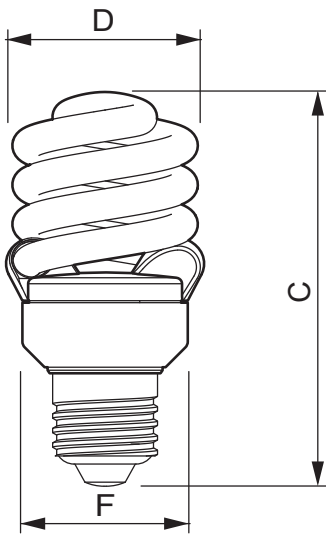
14W EL/mDT D2D 1BC

Product	C (Max)	D (Max)	F (Max)
QSPIR-F 14W WW E26 220-240V 50/60Hz	104.3	51.0	42.5

## Dimensional drawing



E26



### 14W EL/mDT D2D 1BC

Product	C (Max)	D (Max)	F (Max)
QSPIR-F 14W WW E26 220-240V 50/60Hz	104.3	51.0	42.5



E26



© 2014 Koninklijke Philips N.V. (Royal Philips)  
All rights reserved.

Specifications are subject to change without notice. Trademarks are the property of Koninklijke Philips N.V. (Royal Philips) or their respective owners.

[www.philips.com/lighting](http://www.philips.com/lighting)

2014, April 10  
data subject to change