



CorePro LED Lamps

9.5BR30/COREPRO/2700 120V

Philips CorePro LED Lamps provide an energy efficient lighting solution

Product data

• General Characteristics

Cap-Base	E26
Bulb	BR30
Rated Avg. Life (Hours)	25000 hr
Rated Lifetime (years)	22.8 an

• Light Technical Characteristics

Color Code	WW
Color Designation	Warm White
Beam Angle	90 D
Beam Description	90D [Flood]
Correlated Color Temperature	2700 K
CRI	81
Luminous Efficacy Lamp	68.42 Lm/W
Color Temp. (Kelvin)	2700 K [CCT 2700K]
Rated Luminous Flux	650 Lm

• Electrical Characteristics

Wattage	9.5 W
Wattage Technical	9.5 W
Voltage	120 V
Line Frequency	60 Hz

Power Factor	0.9 -
Lamp Current mA	83 mA
Dimmable	No
Wattage Equivalent	65 W
Starting Time	0.5 s

• Measuring Conditions

Switching cycle	25000X
-----------------	--------

• Product Dimensions

Overall Length C	131 mm
Diameter D	95 mm

• Product Data

Product number	429498
Full product name	9.5BR30/COREPRO/2700 120V
Short product name	9.5BR30/COREPRO/2700 120V
Pieces per Sku	1
eop_pck_cfg	6
Skus/Case	6
Bar code on pack	46677429492
Bar code on case	50046677429497
Logistics code(s)	929000251204
eop_net_weight_pp	0.275 kg

Warnings and Safety

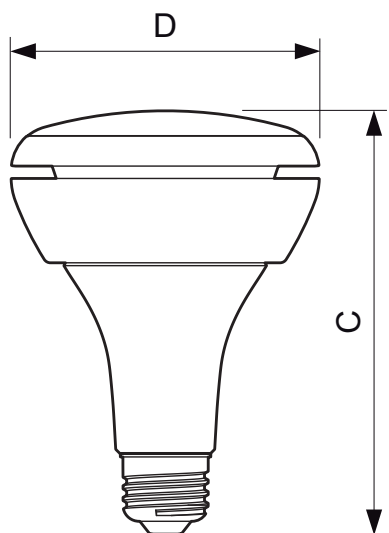
- Suitable for use in damp locations.

- Not for use in totally enclosed luminaires.
- Before replacing, turn off power and let lamp cool to avoid electrical shock or burn.



PHILIPS

Dimensional drawing



9.5BR30/COREPRO/2700 120V



E26



© 2014 Koninklijke Philips N.V. (Royal Philips)
All rights reserved.

Specifications are subject to change without notice. Trademarks are the property of Koninklijke Philips N.V. (Royal Philips) or their respective owners.

www.philips.com/lighting

2014, March 30
data subject to change