



# PAR16 GU10 LED with AirFlux Technology

6PAR16/END/F25 3000 DIM 10/1

Philips PAR16 Dimmable LED Lamp with AirFlux Technology provides bright light in a sleek, lightweight design and is ideal for accenting spaces that require a GU10 base.

## Product data

### • General Characteristics

Cap-Base	GU10
Bulb	PAR16 [PAR 2inch]
Bulb Finish	White
Rated Avg. Life (Hours)	25000 hr
Rated Lifetime (years)	15 an
Nominal Lifetime hours	25000 hr

### • Light Technical Characteristics

Color Code	WH
Color Designation	White
Beam Angle	25 D
Beam Description	25D [Medium beam]
Correlated Color Temperature	3000 K
Approximate Lumens	300 Lm
Approx. MBCP	1050 cd
CRI	80
Luminous Efficacy Lamp	50.00 Lm/W
Color Temp. (Kelvin)	3000 K [CCT 3000K]
Rated Luminous Flux	300 Lm
LLMF - end nominal lifetime	70 %
Colour consistency	6 steps
Rated Beam Angle	25 D

### • Electrical Characteristics

Wattage	6 W
Wattage Technical	6 W
Voltage	120 V
Line Frequency	60 Hz

Power Factor	0.5 -
Lamp Current mA	66 mA
Wattage Equivalent	40 W
Rated Wattage	6.0 W
Starting Time	0.5 s
Warm-up Time to 60% Light Outp	instant full light
Suitable for accent lighting	Yes

### • Temperature Characteristics

### • Environmental characteristics

Energy Efficiency Label (EEL)	A
-------------------------------	---

### • Measuring Conditions

Switching cycle	50000X
-----------------	--------

### • Product Dimensions

Overall Length C	55 mm
Diameter D	50 mm

### • Product Data

Product number	423509
Full product name	6PAR16/END/F25 3000 DIM 10/1
Short product name	6PAR16/END/F25 3000 DIM 10/1
Pieces per Sku	1
eop_pck_cfg	10
Skus/Case	10
Bar code on pack	46677423506
Bar code on case	50046677423501



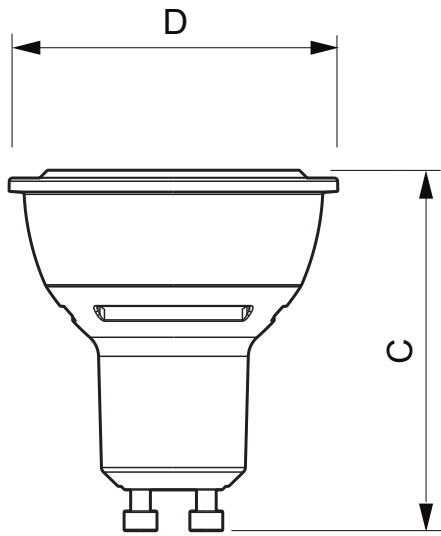
# PHILIPS

# PAR16 GU10 LED with AirFlux Technology

Logistics code(s) 929000224204

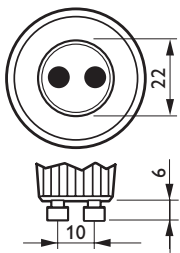
eop\_net\_weight\_pp 0.055 kg

## Dimensional drawing



### 6PAR16/END/F25 3000 DIM 10/1

Product	C (Norm)	C1 (Max)	D (Norm)	D1 (Norm)
LED 6W GU10 WH 3000K 25D	55	-	50	-



GU10



© 2014 Koninklijke Philips N.V. (Royal Philips)  
All rights reserved.

Specifications are subject to change without notice. Trademarks are the property of Koninklijke Philips N.V. (Royal Philips) or their respective owners.

[www.philips.com/lighting](http://www.philips.com/lighting)

2014, March 30  
data subject to change