

EcoVantage PAR

EcoVantage 39W 120V PAR38 FL 25D



EcoVantage PAR lamps reduce energy consumption without sacrificing the qualities of a traditional PAR lamp. They uniquely produce light more efficiently. They work with dimmer switches and are available in the familiar PAR20, PAR30S, PAR30L, and PAR38 shapes. Use them in existing fixtures just as you would standard halogen PAR lamps.

Product data

• General Characteristics

Base	Medium Skirted [Skirted Medium Screw (PAR Lamps)]
Base Information	Brass [Brass Base]
Bulb	PAR38 [PAR 4.75 inch/121mm]
Bulb Material	Hard Glass
Bulb Finish	Clear
Reflector Finish	Aluminized
Filament Shape	CC-8 [Axial]
Operating Position	Universal [Any or Universal (U)]
Main Application	Outdoor
Atmosphere	Gas
RatedAvgLife(See Family Notes)	1100 hr

• Light Technical Characteristics

Beam Description	Flood [Flood]
Beam Angle	25 D
Approx. MBCP	2000 cd
Color Rendering Index	100 Ra8
Color Temperature	2900 K
Initial lumen	570 Lm

• Electrical Characteristics

Watts	39 W
Voltage	120 V

• Product Dimensions

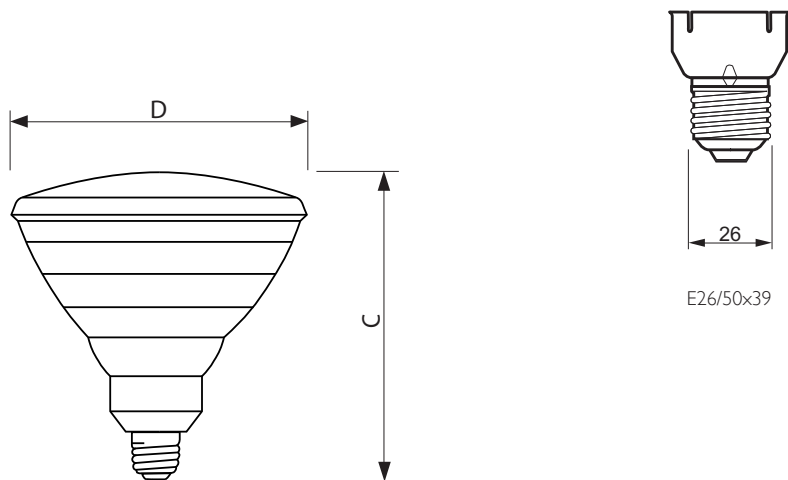
Max Overall Length (MOL) - C	5.313 (max) in
Diameter D	4.75 in

• Product Data

Product number	428847
Full product name	EcoVantage 39W 120V PAR38 FL 25D
Short product name	39PAR38/EVP/FL25 120V 12/1
Pieces per Sku	1
eop_pck_cfg	12
Skus/Case	12
Bar code on pack	46677428846
Bar code on case	50046677428841
Logistics code(s)	925706136302
eop_net_weight_pp	0.246 kg

PHILIPS

Dimensional drawing



Ecovantage 39W 120V PAR38 FL 25D



© 2014 Koninklijke Philips N.V. (Royal Philips)
All rights reserved.

Specifications are subject to change without notice. Trademarks are the property of Koninklijke Philips N.V. (Royal Philips) or their respective owners.

www.philips.com/lighting

2014, November 3
data subject to change