

ULTRA LED™ Glass PAR Lamps

Glass Housing Design



The new aesthetically pleasing design of the ULTRA LED Glass PAR lamps make halogen retrofits easier to spot relamp to a more energy efficient lamp. Replacements for 50, 75, 100, 120 watt halogen lamps providing up to 87% energy savings and longer life up to 25,000 hours (L₇₀). These lamps can be used in many applications and are wet location rated and perfect for outdoor applications. All lamps are RoHS compliant, contain no mercury and emit no UV or IR radiation.

Key Features & Benefits

- Up to 83 LPW
- Dimmable*
- Long life up to 25,000 hours (L₇₀)
- Color temperature available in 2700K, 3000K, 4000K and 5000K
- CRI >80
- Energy savings up to 87%
- Longer life than traditional halogen lamps
- No warm-up time, instant on with full light output and stable color
- Ideal for re-lamping when halogen lamps reach end of life
- Glass body with full optics – similar to halogen PAR lamps
- UL Wet rated
- Rated for use in enclosed fixtures
- ETL Food Safe Listed

* Performance may vary depending on dimmer used in application. Please refer to Dimmer Compatibility List (RETRO-DIM) for a list of compatible dimmers or visit www.SYLVANIA.com/LED Retrofit



Product Offering

Ordering Abbreviation	Wattage	Beam Angle	Color Temperature	CRI
LED PAR20	7	25° & 40°	2700K, 3000K, 4000K & 5000K	82*
LED PAR30	10	25° & 40°	3000K	82
LED PAR30LN	10**	25° & 40°	2700K, 3000K, 4000K & 5000K	82
LED PAR38	14***	12°, 25° & 40°	2700K, 3000K, 4000K & 5000K	82
LED PAR38	16	25° & 40°	3000K & 5000K	82

*81 CRI for 5000K
 **11W for 5000K
 ***13W for 5000K

Application Information

Applications

- General lighting
- Recessed downlights
- Track lighting
- Wall washer

Market Segments

- Hospitality
- Offices
- Property management
- Residential
- Restaurants
- Retail
- Schools

Application Notes

1. Operating temperature -20°C to +45°C (-4°F to 113°F).
2. Not for use with emergency light fixtures or exit lights.
3. Suitable for wet locations.
4. Rated for use in enclosed fixtures.

This device complies with part 15 of the FCC Rules. Operation is subject to the following two conditions: (1) This device may not cause harmful interference, and (2) this device must accept any interference received, including interference that may cause undesired operation. For FCC Part 15 user information, please see www.sylvania.com/fcc15b.



Specification Data

Catalog #	Type
Project	
Comments	
Prepared by	

Ordering Information

Item Number	Ordering Abbreviation	Wattage (W)	Base Type	Replaces	Input Voltage (V)	Beam Angle	CBCP	Average Rated Life (hrs.) ¹	CCT ²	CRI ³	Typical Lumens (lm) ⁴	Power Factor	ENERGY STAR [®]
78349	LED7PAR20/DIM/827/NFL25/22Y/GL3/W/RP	7	Medium	50W	120V	25	1700	25,000	2700K	82	525	0.95	Yes
78350	LED7PAR20/DIM/827/FL40/22Y/GL3/W/RP	7	Medium	50W	120V	40	1200	25,000	2700K	82	525	0.95	Yes
78347	LED7PAR20/DIM/830/NFL25/22Y/GL3/W/RP	7	Medium	50W	120V	25	1700	25,000	3000K	82	525	0.95	Yes
78348	LED7PAR20/DIM/830/FL40/22Y/GL3/W/RP	7	Medium	50W	120V	40	1200	25,000	3000K	82	525	0.95	Yes
78346	LED7PAR20/DIM/840/FL40/22Y/GL3/W/RP	7	Medium	50W	120V	40	1200	25,000	4000K	82	525	0.95	Yes
74777	LED7PAR20/DIM/850/FL40/13Y/GL/W/RP	7	Medium	50W	120V	40	700	15,000	5000K	81	550	0.95	Yes
79784	LED10PAR30/DIM/830/FL40/22Y/GL3/W/RP	10	Medium	75W	120V	40	1500	25,000	3000K	82	825	0.95	Yes
79783	LED10PAR30/DIM/830/NFL25/22Y/GL3/W/RP	10	Medium	75W	120V	25	3200	25,000	3000K	82	825	0.95	Yes
78251	LED10PAR30LN/DIM/827/NFL25/22Y/GL3/W/RP	10	Medium	75W	120V	25	3200	25,000	2700K	82	825	0.95	Yes
78252	LED10PAR30LN/DIM/827/FL40/22Y/GL3/W/RP	10	Medium	75W	120V	40	1500	25,000	2700K	82	825	0.95	Yes
78249	LED10PAR30LN/DIM/830/NFL25/22Y/GL3/W/RP	10	Medium	75W	120V	25	3200	25,000	3000K	82	825	0.95	Yes
78250	LED10PAR30LN/DIM/830/FL40/22Y/GL3/W/RP	10	Medium	75W	120V	40	1500	25,000	3000K	82	825	0.95	Yes
78248	LED10PAR30LN/DIM/840/FL40/22Y/GL3/W/RP	10	Medium	75W	120V	40	1500	25,000	4000K	82	825	0.95	Yes
74603	LED11PAR30LN/DIM/850/FL40/13Y/GL/W/RP	11	Medium	75W	120V	40	1375	15,000	5000K	82	850	0.95	Yes
74944	LED14PAR38/DIM/827/NFL25/22Y/GL3/W/RP	14	Medium	100W	120V	25	5500	25,000	2700K	82	1050	0.95	Yes
74945	LED14PAR38/DIM/827/FL40/22Y/GL3/W/RP	14	Medium	100W	120V	40	2400	25,000	2700K	82	1050	0.95	Yes
74036	LED14PAR38/DIM/830/SP12/GL1/W/RP	14	Medium	100W	120V	12	14,000	25,000	3000K	82	1050	0.95	Yes
74942	LED14PAR38/DIM/830/NFL25/22Y/GL3/W/RP	14	Medium	100W	120V	25	5500	25,000	3000K	82	1050	0.95	Yes
74943	LED14PAR38/DIM/830/FL40/22Y/GL3/W/RP	14	Medium	100W	120V	40	2400	25,000	3000K	82	1050	0.95	Yes
74946	LED14PAR38/DIM/840/FL40/22Y/GL3/W/RP	14	Medium	100W	120V	40	2400	25,000	4000K	82	1050	0.95	Yes
74948	LED13PAR38/DIM/850/FL40/13Y/GL/W/RP	13	Medium	100W	120V	40	1800	15,000	5000K	82	1050	0.95	Yes
74940	LED16PAR38/DIM/830/NFL25/22Y/GL3/W/RP	16	Medium	120W	120V	25	6500	25,000	3000K	82	1300	0.95	Yes
74941	LED16PAR38/DIM/830/FL40/22Y/GL3/W/RP	16	Medium	120W	120V	40	3200	25,000	3000K	82	1300	0.95	Yes
74950	LED16PAR38/DIM/850/FL40/13Y/GL/W/RP	16	Medium	120W	120V	40	2300	15,000	5000K	82	1300	0.95	Yes

1. Hours lifetime with 70% lumen maintenance 2. Thermally stable typical CCT (±10%) 3. CRI – Color Rendering Index (typical) 4. Thermally stable typical lumens (±10%)

Note: 78349 replaces 78982, 78350 replaces 78983, 78347 replaces 78980, 78348 replaces 78981, 78346 replaces 78978, 74777 replaces 74053, 79784 replaces 79273, 79783 replaces 79373, 78251 replaces 78229, 78252 replaces 78230, 78249 replaces 78227, 78250 replaces 78228, 78248 replaces 78224, 74603 replaces 74059, 74944 replaces 74035, 74945 replaces 74037, 74942 replaces 74032, 74943 replaces 74043, 74946 replaces 74088, 74948 replaces 74064, 74940 replaces 74052, 74941 replaces 74070, 74950 replaces 74068.

Ordering Guide

LED	14	PAR38	/	DIM	/	8	30	/	FL	40	/	22Y	/	GL3	/	W
LED Lamps and Retrofits	Wattage: 7, 10, 14, 16	Lamp Type: PAR38 PAR30LN PAR30 PAR20	/	Dimmable	/	CRI = 80+	Color Temperature 2700K, 3000K 4000K, 5000K	/	Flood	Beam Angle 12°, 25° 40°	/	25,000 hours life	/	Glass Lamps	/	Wet Rated

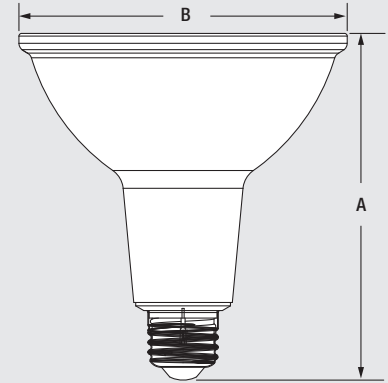
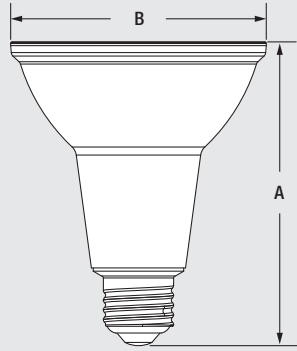
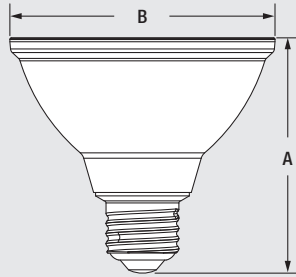
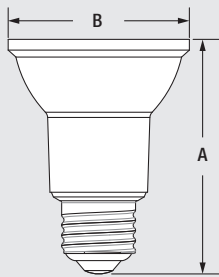
Energy Savings

Basic Product Description	LED Life (hrs.)	Similar Halogen	Halogen Life (hrs.)	Watts Saved	Energy Savings*	LED Life vs. Incandescent
LED 7W PAR20	25,000	50W	2,500	43	\$118.25	10X
LED 10W PAR30	25,000	75W	2,500	65	\$178.75	10X
LED 10W PAR30LN	25,000	75W	2,500	65	\$178.75	10X
LED 14W PAR38	25,000	100W	2,500	76	\$236.50	10X
LED 16W PAR38	25,000	120W	2,500	104	\$286.00	10X

* Energy savings over the life of the lamp calculated at \$0.11/kWh

Lamp Dimensions

	(A) MOL inches	(B) Diameter inches
LED PAR20	3.27 in	2.51 in
LED PAR30	3.34 in	3.74 in
LED PAR30LN	4.44 in	3.74 in
LED PAR38	5.11 in	4.80 in



LEDVANCE LLC
 200 Ballardvale Street
 Wilmington, MA 01887 USA
 Phone 1-800-LIGHTBULB (1-800-544-4828)
www.sylvania.com

SYLVANIA and LEDVANCE are registered trademarks.
 All other trademarks are those of their respective owners.
 Licensee of product trademark SYLVANIA in general lighting.
 Specifications subject to change without notice.

 /sylvania  /sylvania

